



976-0199-01-01 Revision A May 2008

## Xantrex LinkLITE/PRO Accessories Addendum

If you have purchased an accessory for the LinkLITE/PRO battery monitor but the accessory's installation instructions do not specify LinkLITE/PRO you do not have the most up-to-date installation instructions. There are some changes to the installation instructions that you need to be aware of.

### WARNING

Use the LinkLITE/PRO Installation Instructions and the LinkLITE/PRO Battery Temperature Sensor Kit or LinkLITE/PRO Connection Kit Instructions as well as this addendum to ensure safe installation of your LinkLITE/PRO accessory. Read, follow, and save all instructions to reduce the risk of fire hazard, equipment damage, or malfunction.

### LinkPRO Battery Temperature Sensor Kit

The old LinkPRO Battery Temperature Sensor Kit Installation Instructions refer to Function F11. This function is now called Function F1.4. All other instructions in the old Installation Instructions are correct and should be used to install your LinkPRO battery temperature sensor.

Do not forget to change Function F1.4 in the LinkPRO setup menu to AU. Otherwise the LinkPRO will still calculate with the current fixed temperature value. Changing Function F1.4 to AU will also enable temperature readout in the normal operating mode.

### LinkPRO Communication Kit

The Communication Kit software has been upgraded and is also now Vista-compatible. If your Communication Kit CD has LinkPRO written on it then you have the most recent software, however, if your Communication Kit CD has XBM written on it then you need to contact Xantrex for the updated software at 1 408 987 6030 or [customerservice@xantrex.com](mailto:customerservice@xantrex.com).

### LinkLITE/PRO Connection Kit

The old LinkLITE/PRO Connection Kit Installation Instructions and diagram do not accommodate the auxiliary battery option. Please use the instructions below and the diagram on the flip side of this document to install your LinkLITE/PRO connection kit.

Make sure you connect your battery monitor exactly as shown in the wiring diagram below. The wire colors in your installation must correspond with the same functions as in this wiring diagram.

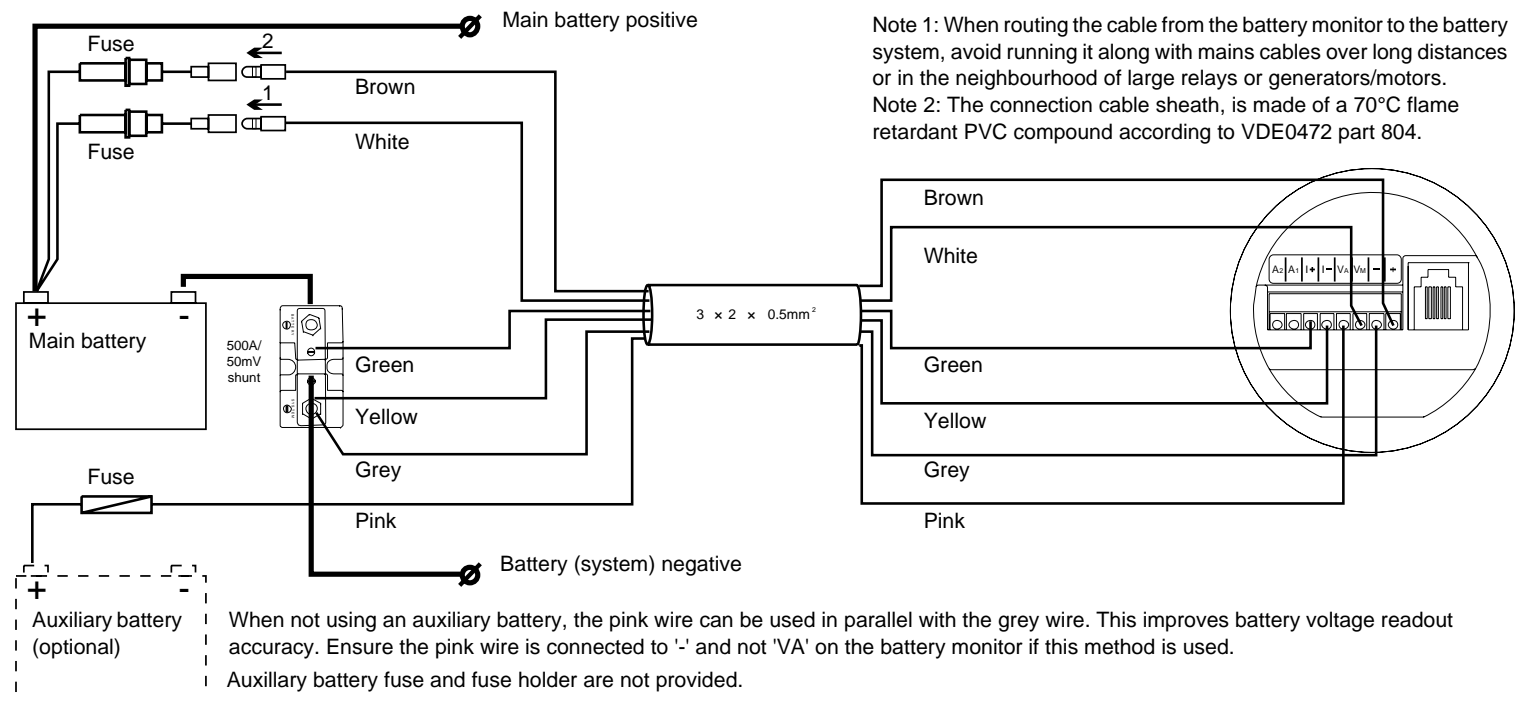
1. Determine the right cable length and shorten it when necessary. Remove the cable sheath on both sides to free the 6 colored wires.
2. On the battery system side, use the red male 'bullet' crimp terminals for the brown and white wires, the M3 fork crimp terminals for the green and yellow wires and the M8 ring crimp terminal for the grey wire. If using an auxiliary battery, install a terminal on the pink wire for connection with the auxiliary battery fuse (auxiliary battery connection hardware not provided).
3. Connect the dual inline fuse holder to the Main battery '+' terminal. If using an auxiliary battery, connect an inline fuse holder to the auxiliary battery '+' terminal.
4. Connect the green and yellow wires to the small shunt screws according to the wiring diagram below. Wrong connection of these wires will cause huge readout errors due to current polarity change. Make sure these green and yellow wires stay twisted together up to the shunt.
5. Connect the grey wire to the large System-shunt screw. Do not insert the white and brown wire bullet terminals in to the blue fuse holder terminals yet.
6. Make the connections on the battery monitor side according to the wiring diagram below. To avoid mechanical damage, do not overtighten the small terminal block screws.



Smart choice for power™

976-0199-01-01 Revision A May 2008

- When all connections are made and checked, the white and brown wire bullet terminals must be inserted in to the two blue female fuse holder terminals. Insert the white wire first, followed by the brown wire. If using an auxiliary battery, connect the auxiliary battery to the system at the fuse holder terminals.
- Your battery monitor system is now ready for operation.



Xantrex and Smart Choice For Power are trademarks of Xantrex International, registered in the U.S. and other countries. Other trademarks, registered trademarks, and product names are the property of their respective owners and are used herein for identification purposes only. LinkLITE/LinkPRO Accessories Addendum © May 2008 Xantrex International. All rights reserved.

Unless specifically agreed to in writing, Xantrex Technology Inc. ("Xantrex"): (a) makes no warranty as to the accuracy, sufficiency or suitability of any technical or other information provided in its manuals or other documentation. (b) assumes no responsibility or liability for losses, damages, costs or expenses, whether special, direct, indirect, consequential or incidental, which might arise out of the use of such information. The use of any such information will be entirely at the user's risk; and (c) reminds you that if this manual is in any language other than English, although steps have been taken to maintain the accuracy of the translation, the accuracy cannot be guaranteed. Approved Xantrex content is contained with the English language version which is posted at [www.xantrex.com](http://www.xantrex.com).