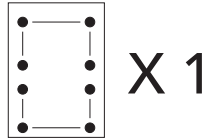


Installation Instructions

Wire Box for ProStar MPPT

Model: PS-MPPT-WB

In the Box



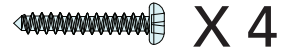
X 1

Mounting
Template



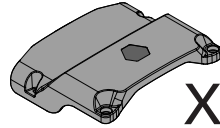
X 4

Cover Screws
M4 12mm



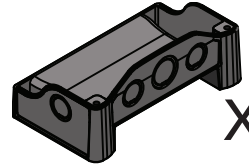
X 4

Mounting Screws
#10 1-1/4"



X 1

Wire Box Cover



X 1

Wire Box

Tools Required



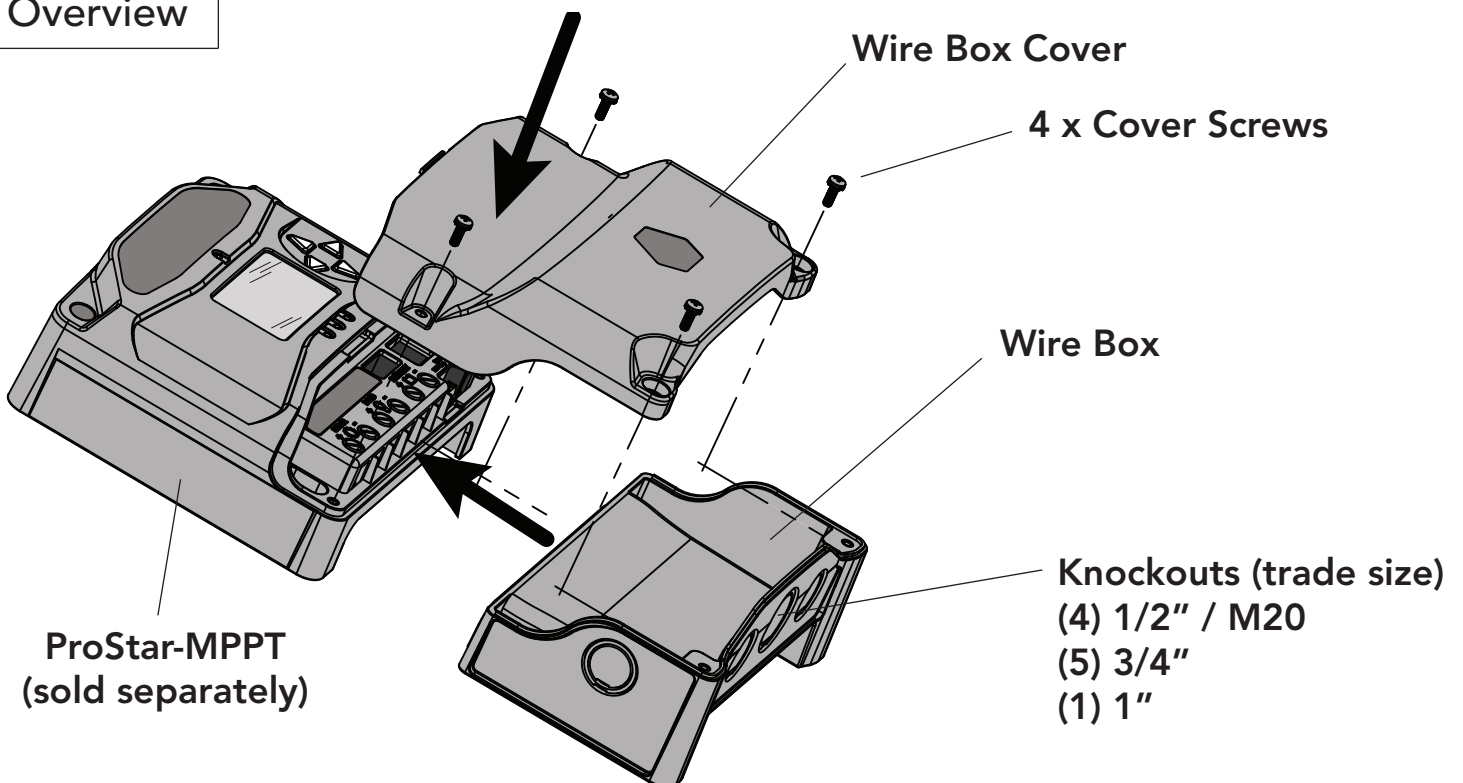
⊕ #2

⊖ 3/16" / 5mm

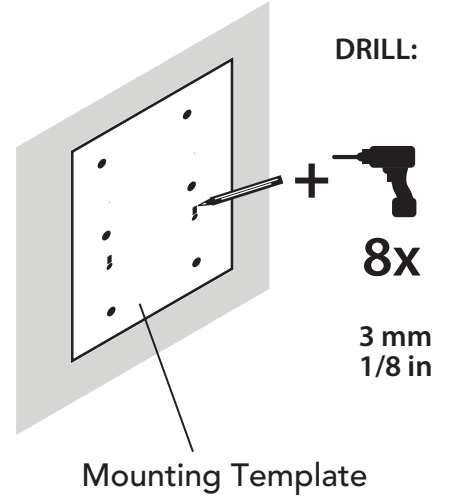
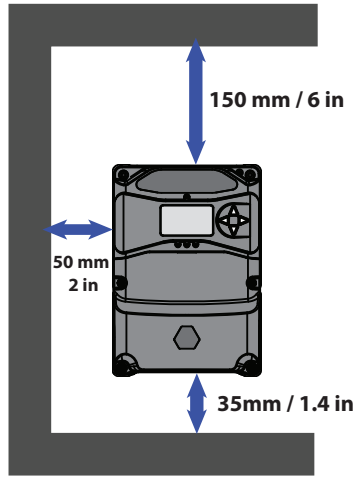
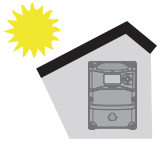


1/8 in / 3mm

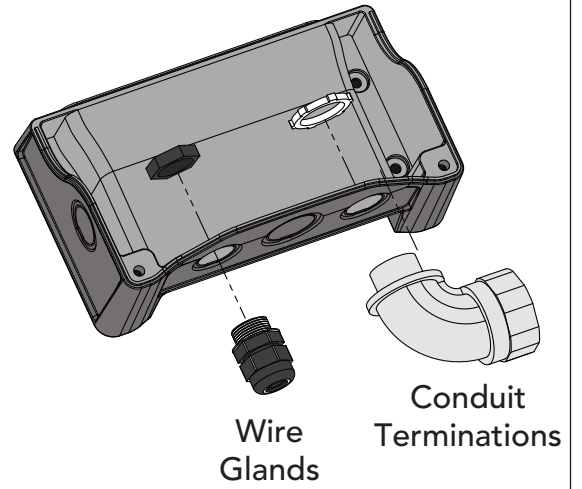
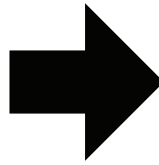
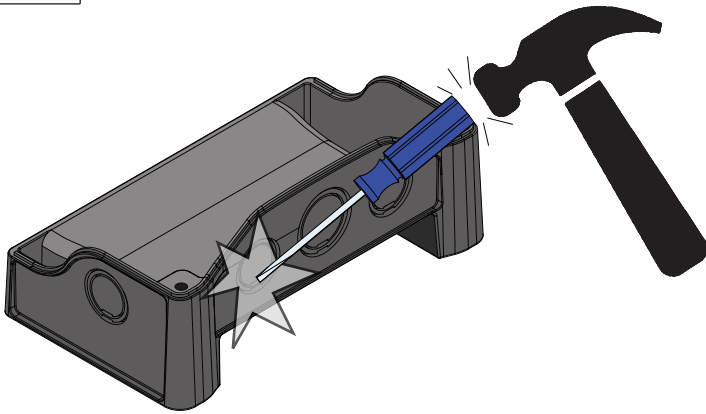
Overview



A



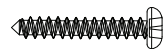
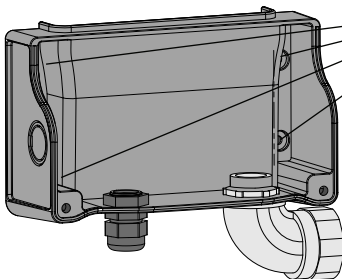
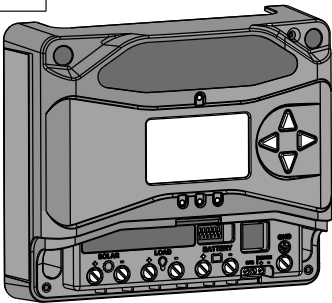
B



⊖ 3/16" / 5mm

C

⊕ #2



X 4

Mounting Screws
#10 1-1/4"

D



ProStar MPPT
Operator's Manual