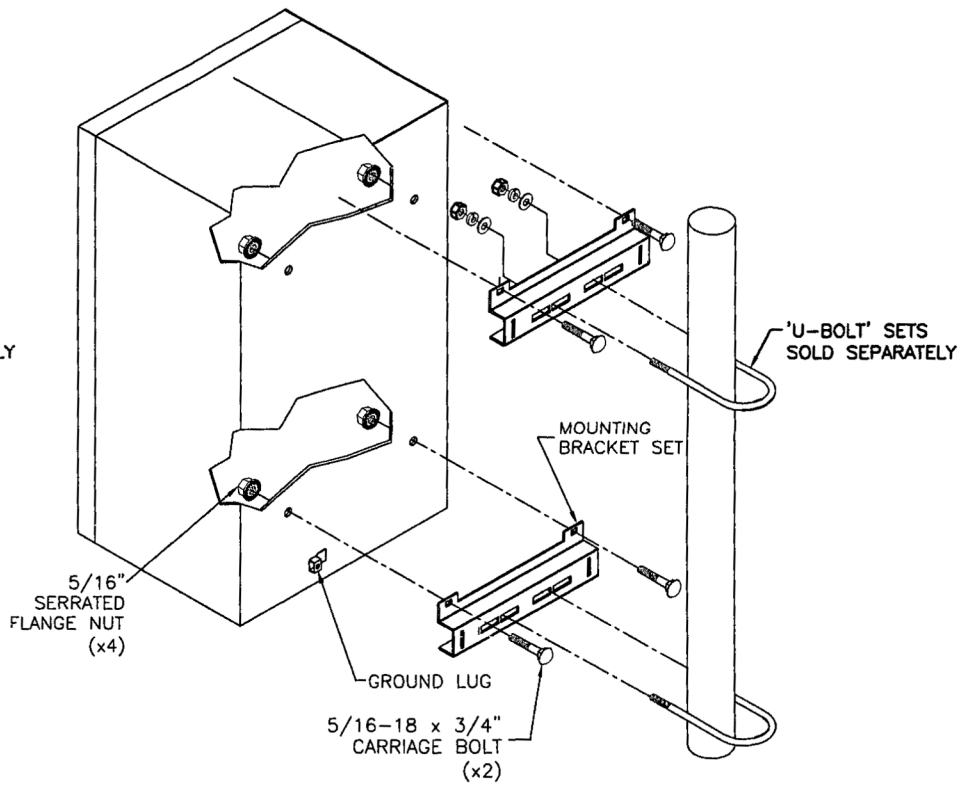
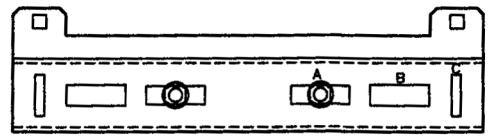


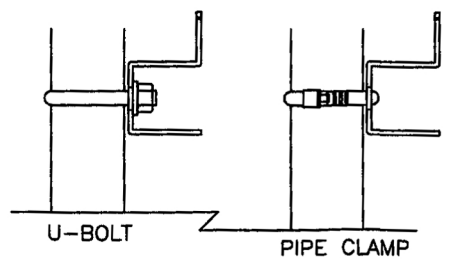
PREMIUM ENCLOSURE ASSEMBLY




ECONOMY ENCLOSURE ASSEMBLY



TYPICAL POLE MOUNTING DETAIL



- SLOT A: 2 - 4" U-BOLT
- SLOT B: 6 - 8" U-BOLT
- SLOT C: 10" OR GREATER PIPE CLAMP

CONFIDENTIAL PROPERTY OF SUNWIZE TECHNOLOGIES		 1155 Flatbush Road, Kingston NY 12401	
EOR (KEY A):			
DIMENSIONS:		INCHES	
PROJECT: ENCLOSURE ACCESSORIES			
PART NO.:		TITLE/PART DESCRIPTION	
		ASSEMBLY DRAWING ENCL MOUNTING BRACKET	
APPROVED BY:		SIZE	DRG NO.
		A ±	296-30-055
DRAWN BY: ET		SCALE	DATE 2/12/08 SHEET -